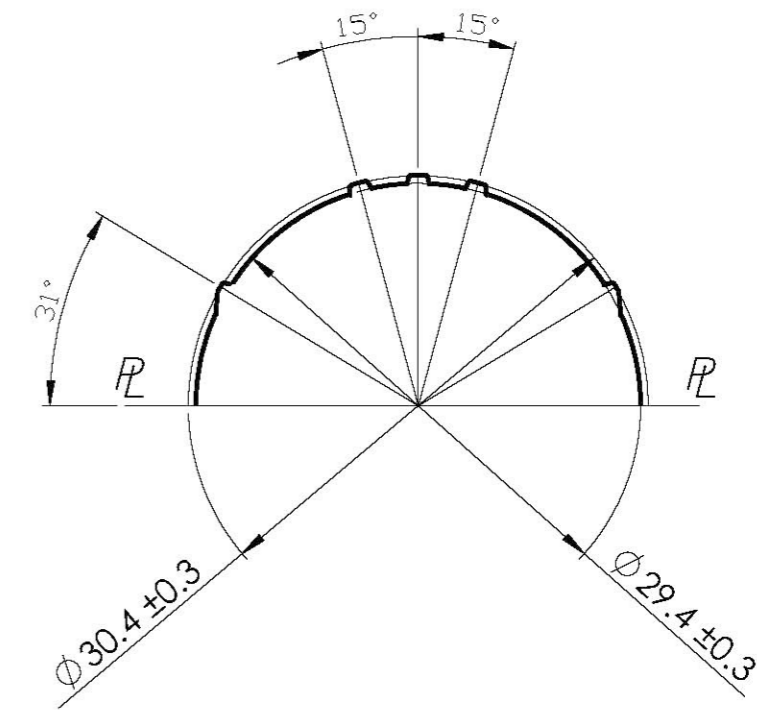
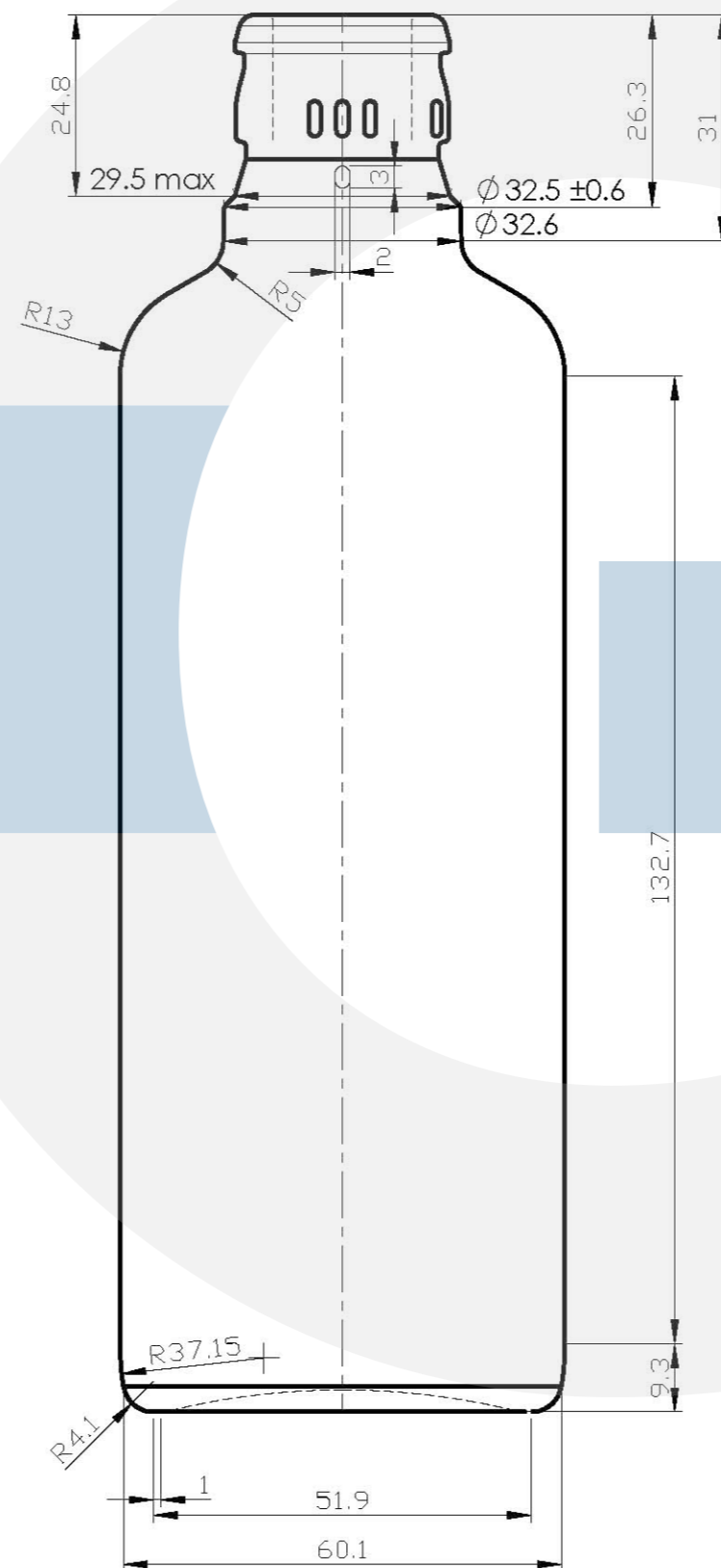
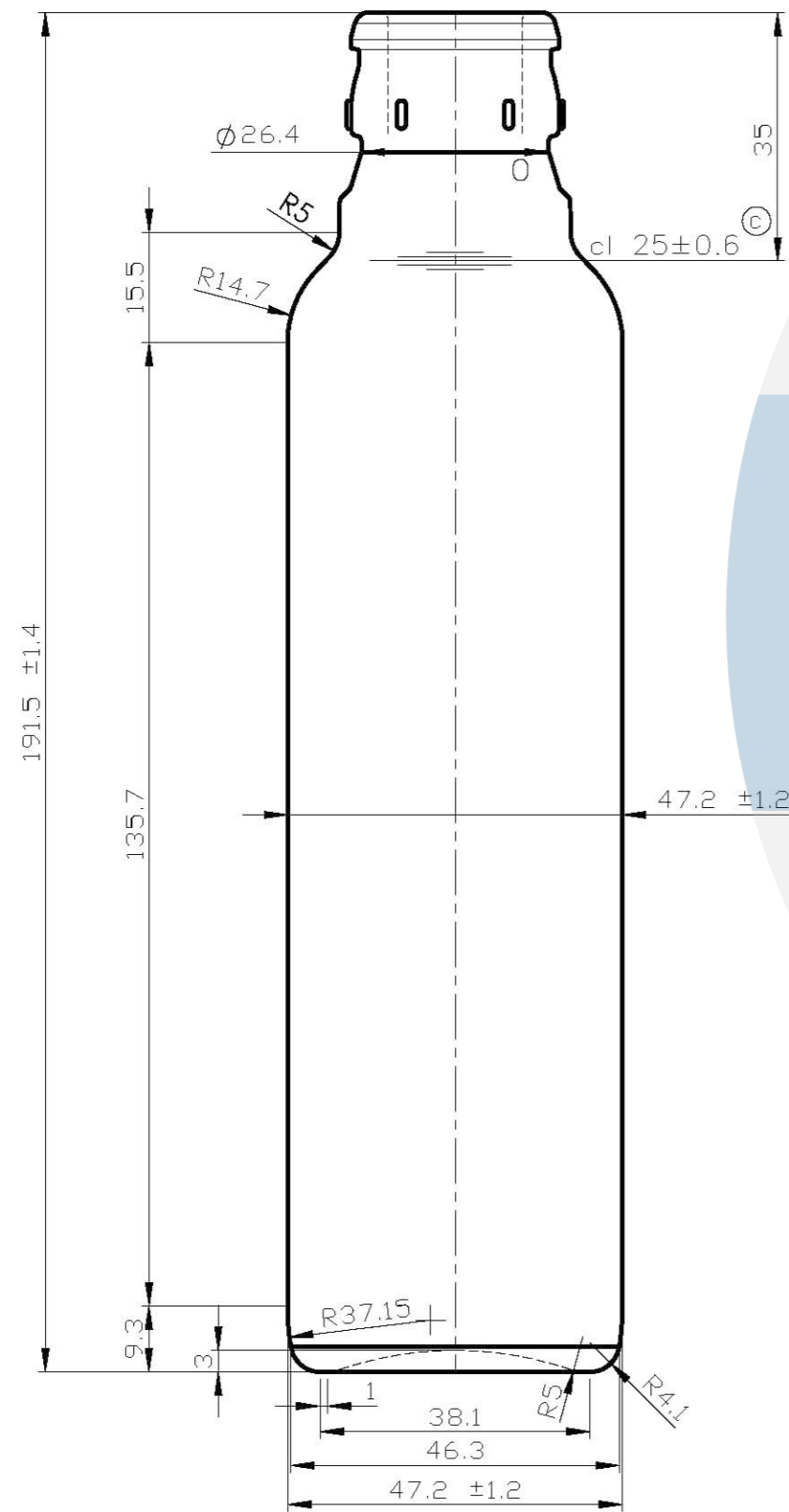


M 2:1



5					
4					
3					
2					
1					
-----REVISIONS-----					
SHEET 1/1	PRODUCT NAME:	BOTTLE MARASKA 250ml.		WEIGHT	230 ±10 g
A2	ИЗДЕЛИЕ:	БУТИЛКА МАРАСКА 250ml.		NOMINAL CAPACITY	250 ml
SCALE	Drawing No:	125700_BOTTLE_MARASKA_250ml_GUALA		BRIMFUL CAPACITY	265 ± 6 ml
		FINISH TYPE:	GUALA 1031/47	COLOR	UVAG
1:1	DRAWN:	DIMITROV	09.10.2023	FILLING LINE	35 mm
	CHECKED:	KAMENOV	09.10.2023	TIP ANGLE	
				HEADSPACE	%
				CARBONATION	
				RETURNABLE	NO
				CUSTOMER	RUBIN TRADING
				PRODUCTION PROCESS	BLOW&BLOW
				REV.	